

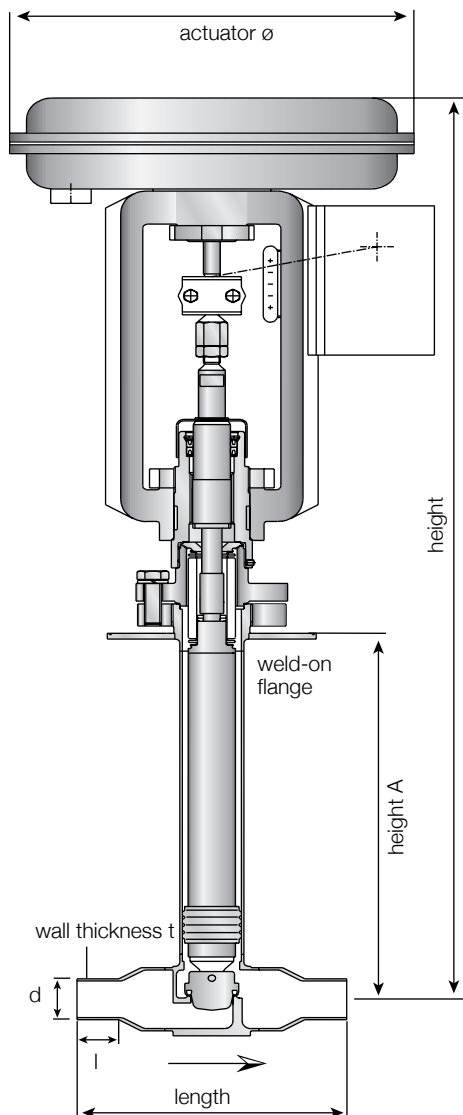
Cryogenic Regulation Valve PN40 pneumatic operation

Bellow in top of housing

General characteristics (identical for all valves of the 1200 series)

Media	N ₂ , O ₂ , H ₂ , Ar, N ₂ O, CO ₂ , other media possible; please always specify media when placing an order	
Specifications	Standard design	Accessories and modifications
Housing material:	ss 1.4404 (AISI 316L) or 1.4571 (AISI 316Ti)	other materials possible, please specify
Seal in seat*:	metal/soft seat (PCTFE) leakage <10 ⁻⁶ mbar x l/sec.	other plastics, metal to metal, special alloys
Spindle seal**:	with bellow and safety O-ring*** (Viton)	other materials (O-Ring) for seal possible, please specify
Sealing to the atmosphere:	with metal seal, leakage: <10 ⁻⁸ mbar x l/sec. helium leak test (vacuum method)	
Connection:	butt welded	other connections possible, please specify
Purity:	free of oil and grease	assembly in clean room; electropolished Ra < 0,4/0,25 μm
Pressure test:	AD 2000-A4	
Certification:		according to EN 10204-3.1 for pressure-bearing parts with media contact
All 1200-valves are also available in the standard version with an angle or T form.		

*not with filter **not with non-return valve and filter ***with regulating cryovalve UG lip seal (Viton)



DN	Seat ø	Standard connection (d,t,l)	Length	Height	Actuator ø	Height A	Order No.
10	15	12,0 x 1,0 x 25	160	670	280	300	R18-1200.13.10
15	15	18,0 x 1,5 x 25	160	670	280	300	R18-1201.13.10
20	25	23,0 x 1,5 x 25	180	670	280	300	R18-1202.13.10
25	25	28,0 x 1,5 x 25	180	670	280	300	R18-1203.13.10
*32	36	35,0 x 1,5 x 30	230	750	390	300	R18-1204.13.10
*40	36	44,5 x 2,0 x 35	230	750	390	300	R18-1205.13.10
*50	45	54,0 x 2,0 x 50	250	750	390	300	R18-1206.13.10

up to DN 150 on request

*CE marking acc. to PED 97/23/EG

all length dimensions in mm

Specifications	
Operating temperature:	-196°C to +50°C (with material 1.4404) AISI 316L -253°C to +50°C (with material 1.4571) AISI 316Ti
Spindle seal:	bellows with additional safety gland (UG lip seal Viton)
Actuator:	actuating pressure: 6 bar max. (standard model) with diaphragm actuator
Installation position:	actuator on the top, stem max. 30° away from the vertical
Optional extras:	weld-on flange (please specify diameter) vacuum insulation
Accessories:	3/2-way solenoid valve 230V/50Hz or 24 V= (also explosion proof) pneumatic or electropneumatic limit signal transmitter positioner limit switches (also explosion proof) with wiring, socket and plug

Important! When ordering, please specify:

- media and operating temperature
- "normally open (NO)", "normally closed (NC)"