

On-Off Valve PN 25/40 manual operation

General characteristics (identical for all valves of the 1200 series)

Media	N ₂ , O ₂ , H ₂ , Ar, N ₂ O, CO ₂ , other media possible; please always specify media when placing an order	
Specifications	Standard design	Accessories and modifications
Housing material:	ss 1.4404 (AISI 316L) or 1.4571 (AISI 316Ti)	other materials possible, please specify
Seal in seat*:	metal/soft seat (PCTFE) leakage <10 ⁻⁶ mbar x l/sec.	other plastics, metal to metal, special alloys
Spindle seal**:	with bellow and safety O-ring*** (Viton)	other materials (O-Ring) for seal possible, please specify
Sealing to the atmosphere:	with metal seal, leakage: <10 ⁻⁸ mbar x l/sec. helium leak test (vacuum method)	
Connection:	butt welded	other connections possible, please specify
Purity:	free of oil and grease	assembly in clean room; electropolished Ra < 0,4/0,25 μm
Pressure test:	AD 2000-A4	
Certification:	according to EN 10204-3.1 for pressure-bearing parts with media contact	
All 1200-valves are also available in the standard version with an angle or T form.		

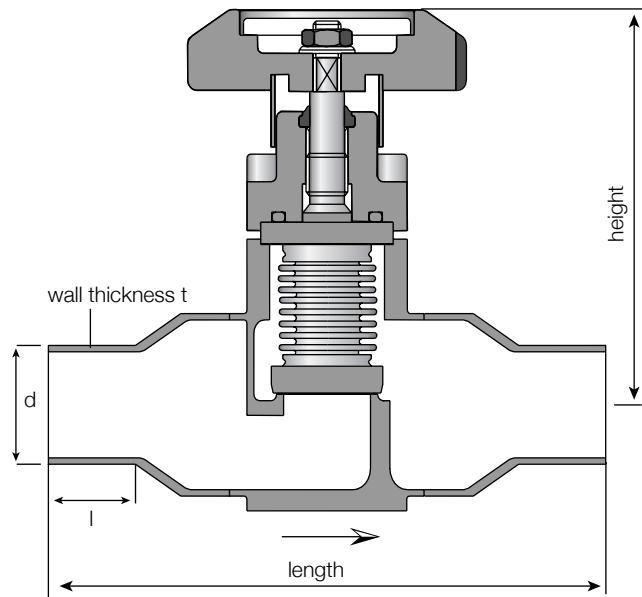
*not with filter **not with non-return valve and filter ***with regulating cryovalve UG lip seal (Viton)

Specifications

Operating temperature: -30°C to + 50°C
with ball bearing actuator and position indication by pin on the handwheel

Important! When ordering, please specify:

- media and operating temperature



DN	Seat ø	Standard-connection (d,t,l)	Length	Height	Order No. PN25	Order No. PN40
10	15	12,0 x 1,0 x 25	160	90		22-1200.12.4
15	15	18,0 x 1,5 x 25	160	90		22-1201.12.3
20	25	23,0 x 1,5 x 25	180	110		22-1202.12.1
25	25	28,0 x 1,5 x 25	180	110		22-1203.12.5
*32	36	35,0 x 1,5 x 30	230	150		22-1204.12.2
*40	36	44,5 x 2,0 x 35	230	150		22-1205.12.3
*50	45	54,0 x 2,0 x 50	250	160		22-1206.12.7
*65	60	70,0 x 2,0 x 50	270	190	22-1207	22-1207.12.2
*80	75	88,9 x 2,9 x 50	300	200	22-1208	22-1208.12.3
*100	100	101,6 x 2,11 x 50	350	280	22-1209	22-1209.12.1

up to DN 150 on request

all length dimensions in mm

*CE marking acc. to PED 97/23/EG

