

On-Off Valve PN40 pneumatic operation

General characteristics (identical for all valves of the 1200 series)

Media	N ₂ , O ₂ , H ₂ , Ar, N ₂ O, CO ₂ , other media possible; please always specify media when placing an order	
Specifications	Standard design	Accessories and modifications
Housing material:	ss 1.4404 (AISI 316L) or 1.4571 (AISI 316Ti)	other materials possible, please specify
Seal in seat*:	metal/soft seat (PCTFE) leakage <10 ⁻⁶ mbar x l/sec.	other plastics, metal to metal, special alloys
Spindle seal**:	with bellow and safety O-ring*** (Viton)	other materials (O-Ring) for seal possible, please specify
Sealing to the atmosphere:	with metal seal, leakage: <10 ⁻⁸ mbar x l/sec. helium leak test (vacuum method)	
Connection:	butt welded	other connections possible, please specify
Purity:	free of oil and grease	assembly in clean room; electropolished Ra < 0,4/0,25 μm
Pressure test:	AD 2000-A4	
Certification:		according to EN 10204-3.1 for pressure-bearing parts with media contact
All 1200-valves are also available in the standard version with an angle or T form.		

*not with filter **not with non-return valve and filter ***with regulating cryo valve UG lip seal (Viton)

DN	Seat ø	Standard connection (d,t,l)	Length	Height	Actuator ø	closing Δ p	Order No.
10	15	12,0 x 1,0 x 25	160	175	120	40	18-1200
15	15	18,0 x 1,5 x 25	160	175	120	40	18-1201
20	25	23,0 x 1,5 x 25	200	235	155	40	18-1202
25	25	28,0 x 1,5 x 25	200	235	155	40	18-1203
32	36	35,0 x 1,5 x 30	260	305	220	30	18-1204
40	36	44,5 x 2,0 x 35	260	305	220	30	18-1205
50	45	54,0 x 2,0 x 50	260	345	220	30	18-1206

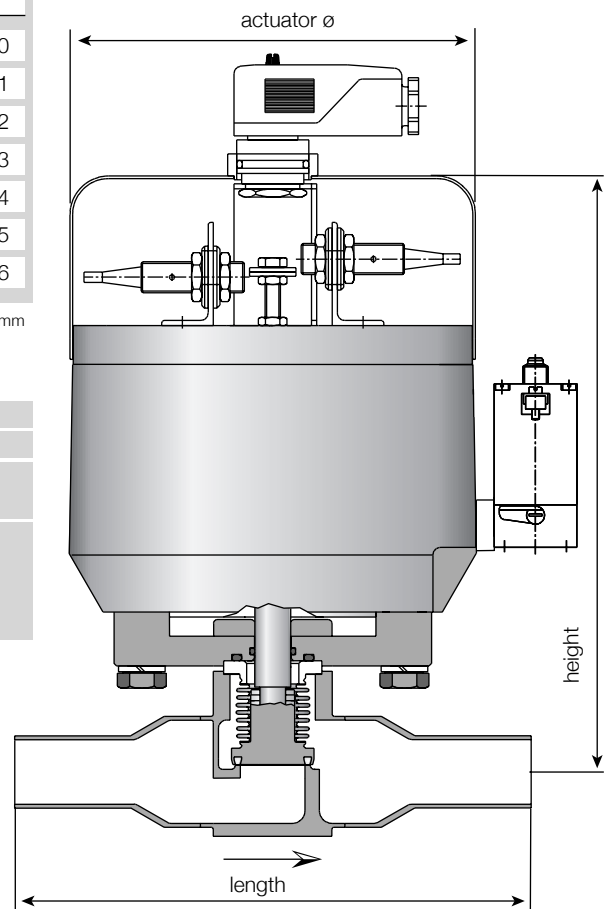
up to DN 150 on request
*CE marking acc. to PED 97/23/EG

all length dimensions in mm

Specifications
Operating temperature: -30°C to + 50°C
Actuator: actuating pressure: 6 bar max. (standard model) with piston actuator
Accessories: 3/2 way solenoid valve 230V/50Hz or 24 V= (also explosion proof) limit switches (also explosion proof) with wiring, socket and plug

Important! When ordering, please specify:

- media and operating temperature
- "normally open (NO)", "normally closed (NC)"



02/2006 • Subject to change • No reliability accepted for printing and other errors • Please observe our safety instructions