

# Cryogenic On-Off Valve PN250 Pneumatic Operation

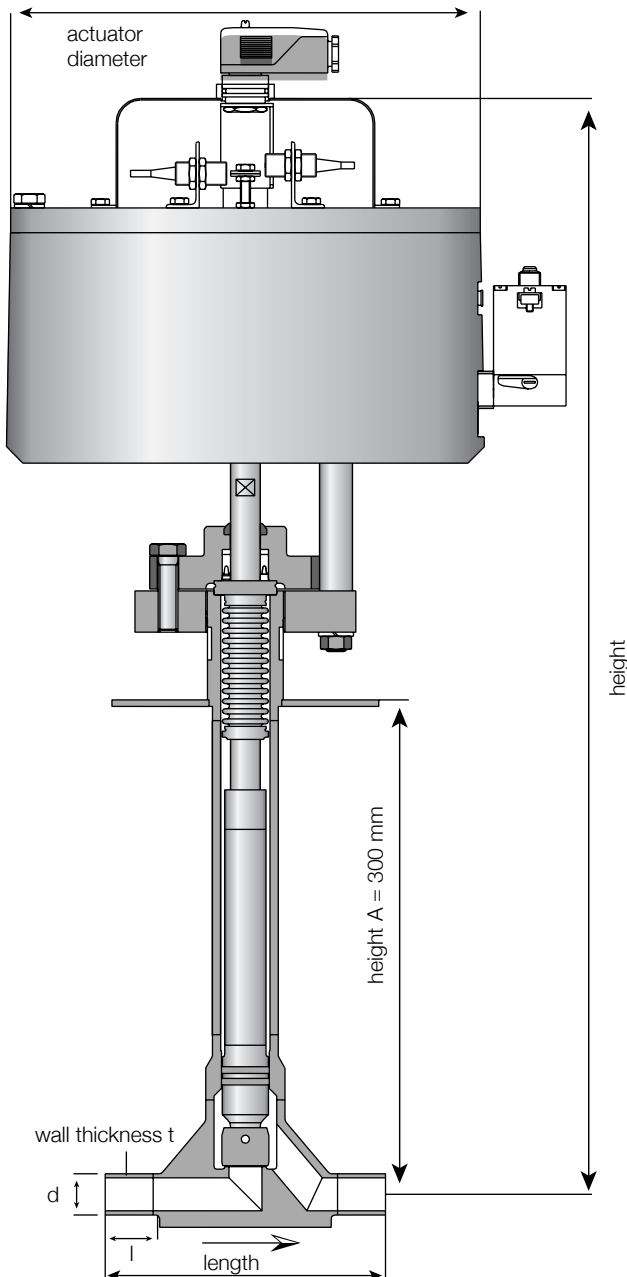
bellow in top of housing

General characteristics (identical for all valves of the 4200 series)

|                            |   |  |
|----------------------------|---|--|
| <b>Media</b>               | N <sub>2</sub> , O <sub>2</sub> , H <sub>2</sub> , Ar, N <sub>2</sub> O, CO <sub>2</sub> , other media possible; please <b>always</b> specify media when placing an order |  |
| <b>Specifications:</b>     | <b>Standard design</b>  | <b>Accessories and modifications</b>                                   |
| Housing material:          | stainless steel 1.4404 or 1.4541  | other materials possible, please specify                               |
| Seal in seat*:             | metal/soft packing (PCTFE)<br>leakage <10 <sup>-6</sup> mbar x l/sec.   | other plastics, metal to metal, special alloys                         |
| Spindle seal**:            | with bellows and safety gland<br>(lip seal Viton)   | other materials for lip seal possible, please specify                  |
| Sealing to the atmosphere: | with metal seal,<br>leakage: <10 <sup>-8</sup> mbar x l/sec.<br>helium sealing test (vacuum method)   |  |
| Connection:                | welded on   | other connections possible, please specify                             |
| Purity:                    | free of oil and grease  | fitting in clean room; electropolished Ra < 0,4/0,25µm                 |
| Pressure test:             | according to TRB 801 No. 45   |  |
| Certification:             | according to DIN 55350 T.18-4.2.2 (M)<br>or -4.2.1.(O)  | according to EN 10204-3.1<br>pressure-bearing parts with media contact |

\*not with filter

\*\*not with non-return valve and filter



### Specifications

|                        |  |
|------------------------|--|
| Operating temperature: | -196°C to +50°C (with material 1.4404)<br>-253°C to +50°C (with material 1.4571)   |
| Drive:                 | with piston actuator<br>actuating pressure: 6 bar max.<br>(standard version)   |
| Standard:              | leak detecting port  |
| Optional extras:       | weld-on flange (please specify diameter)<br>vacuum insulation  |
| Accessories:           | 3/2 way solenoid valve 230V/50Hz<br>or 24 V= (also explosion proof)<br>limit switches (also explosion proof)<br>with wiring, socket and plug |
| Installation position: | actuator upward<br>or max. 30° away from the vertical  |

### Important! When ordering, please specify:

- media and operating temperature
- "normally open", "normally closed"

| DN | Seat<br>ø | Standard<br>connection (d,t,l) | Length | Height | Drive<br>ø | Order No.    |
|----|-----------|--------------------------------|--------|--------|------------|--------------|
| 4  | 10        | 6,0 x 1,0 x 25                 | 130    | 650    | 220        | 18-4200.13.1 |
| 6  | 10        | 8,0 x 1,0 x 25                 | 130    | 650    | 220        | 18-4201.13.1 |
| 8  | 10        | 12,0 x 1,5 x 25                | 130    | 650    | 220        | 18-4202.13.1 |
| 10 | 10        | 14,0 x 2,0 x 25                | 130    | 650    | 220        | 18-4203.13.1 |
| 15 | 20        | 20,0 x 2,5 x 25                | 170    | 680    | 285        | 18-4204.13.1 |
| 20 | 20        | 25,0 x 2,5 x 25                | 170    | 680    | 285        | 18-4205.13.1 |
| 25 | 25        | 30,0 x 3,0 x 25                | 200    | 710    | 400        | 18-4206.13.1 |

all length dimensions in mm

02/2006 • Subject to change • No reliability accepted for printing and other errors • Please observe our safety instructions