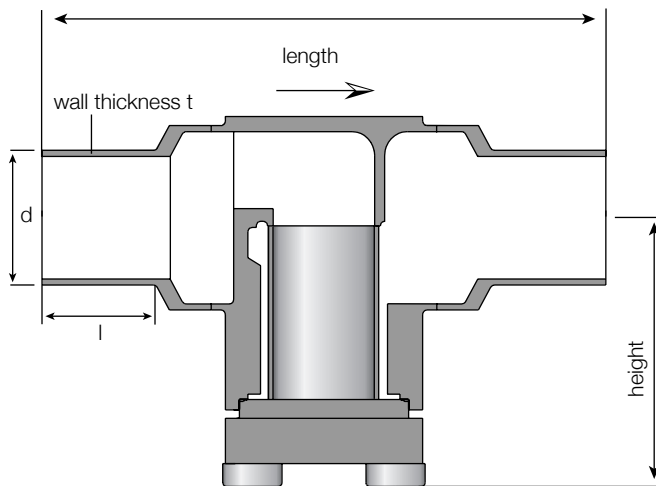


**filter PN 40**

**General characteristics (identical for all valves of the 1200 series)**

<b>Media</b>	N <sub>2</sub> , O <sub>2</sub> , H <sub>2</sub> , Ar, N <sub>2</sub> O, CO <sub>2</sub> , other media possible; please <b>always</b> specify media when placing an order	
<b>Specifications</b>	<b>Standard design</b>	<b>Accessories and modifications</b>
Housing material:	ss 1.4404 (AISI 316L) or 1.4571 (AISI 316Ti)	other materials possible, please specify
Seal in seat*:	metal/soft seat (PCTFE) leakage <10 <sup>-6</sup> mbar x l/sec.	other plastics, metal to metal, special alloys
Spindle seal**:	with bellow and safety O-ring*** (Viton)	other materials (O-Ring) for seal possible, please specify
Sealing to the atmosphere:	with metal seal, leakage: <10 <sup>-8</sup> mbar x l/sec. helium leak test (vacuum method)	
Connection:	butt welded	other connections possible, please specify
Purity:	free of oil and grease	assembly in clean room; electropolished Ra < 0,4/0,25 μm
Pressure test:	AD 2000-A4	
Certification:	according to EN 10204-3.1 for pressure-bearing parts with media contact	
<b>All 1200-valves are also available in the standard version with an angle or T form.</b>		

\*not with filter    \*\*not with non-return valve and filter    \*\*\*with regulating cryovalve UG lip seal (Viton)



DN	Seat ø	Standard connection (d,t,l)	Length	Height	Order No.
10	15	12,0 x 1,0 x 25	160	46	40-1200
15	15	18,0 x 1,5 x 25	160	46	40-1201
20	25	23,0 x 1,5 x 25	180	60	40-1202
25	25	28,0 x 1,5 x 25	180	60	40-1203
*32	36	35,0 x 1,5 x 30	230	90	40-1204
*40	36	44,5 x 2,0 x 35	230	90	40-1205
*50	45	54,0 x 2,0 x 50	250	100	40-1206
*65	60	70,0 x 2,0 x 50	270	127	40-1207
*80	75	88,9 x 3,05 x 50	300	145	40-1208

up to DN 150 on request

\*CE marking acc. to PED 97/23/EG

all length dimensions in mm

**Important! When ordering, please specify:**

- media and operating temperature

**Specifications**

Operating temperature: -196°C to +50°C (with material 1.4404)  
-253°C to +50°C (with material 1.4571)

Filter insert: wire mesh pipe filter 40μm nominal (60μm absolute)  
other inserts possible, please specify

Accessories: Stem tube extension for vacuum insulation