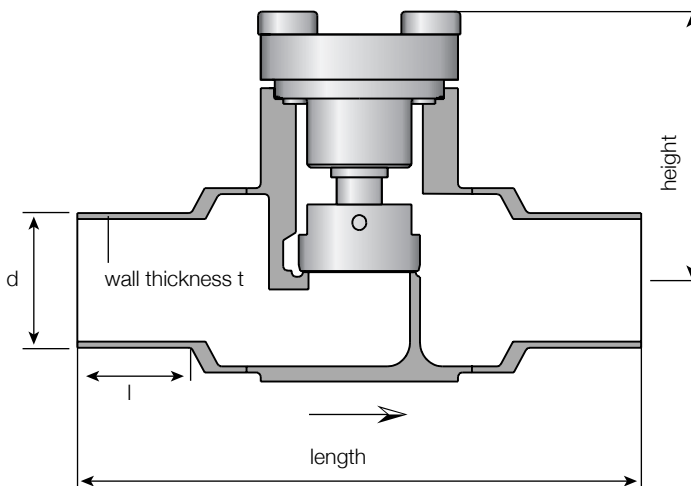


non-return valve PN40

General characteristics (identical for all valves of the 1200 series)

Media	N ₂ , O ₂ , H ₂ , Ar, N ₂ O, CO ₂ , other media possible; please always specify media when placing an order	
Specifications	Standard design	Accessories and modifications
Housing material:	ss 1.4404 (AISI 316L) or 1.4571 (AISI 316Ti)	other materials possible, please specify
Seal in seat*:	metal/soft seat (PCTFE) leakage <10 ⁻⁶ mbar x l/sec.	other plastics, metal to metal, special alloys
Spindle seal**:	with bellow and safety O-ring*** (Viton)	other materials (O-Ring) for seal possible, please specify
Sealing to the atmosphere:	with metal seal, leakage: <10 ⁻⁸ mbar x l/sec. helium leak test (vacuum method)	
Connection:	butt welded	other connections possible, please specify
Purity:	free of oil and grease	assembly in clean room; electropolished Ra < 0,4/0,25 μm
Pressure test:	AD 2000-A4	
Certification:		according to EN 10204-3.1 for pressure-bearing parts with media contact
All 1200-valves are also available in the standard version with an angle or T form.		

*not with filter **not with non-return valve and filter ***with regulating cryovalve UG lip seal (Viton)



Important! When ordering, please specify:
• media and operating temperature

DN	Seat ø	Standard connection (d,t,l)	Length	Height	Order No.
10	15	12,0 x 1,0 x 25	160	46	08-1200
15	15	18,0 x 1,5 x 25	160	46	08-1201
20	25	23,0 x 1,5 x 25	180	60	08-1202
25	25	28,0 x 1,5 x 25	180	60	08-1203
*32	36	35,0 x 1,5 x 30	230	90	08-1204
*40	36	44,5 x 2,0 x 35	230	90	08-1205
*50	45	54,0 x 2,0 x 50	250	100	08-1206
*65	60	70,0 x 2,0 x 50	270	127	08-1207
*80	75	88,9 x 2,9 x 50	300	140	08-1208
*100	100	114,3 x 3,05 x 50	350	200	08-1209

up to DN 150 on request all length dimensions in mm
*CE marking acc. to PED 97/23/EG

Specifications	
Installation position:	horizontal, bonnet upward (other installation positions possible, please specify)
Operating temperature:	-196°C to +50°C (with material 1.4404) -253°C to +50°C (with material 1.4571)
Minimum opening pressure:	< 0,3 bar
Accessories:	Stem tube extension for vacuum insulation

