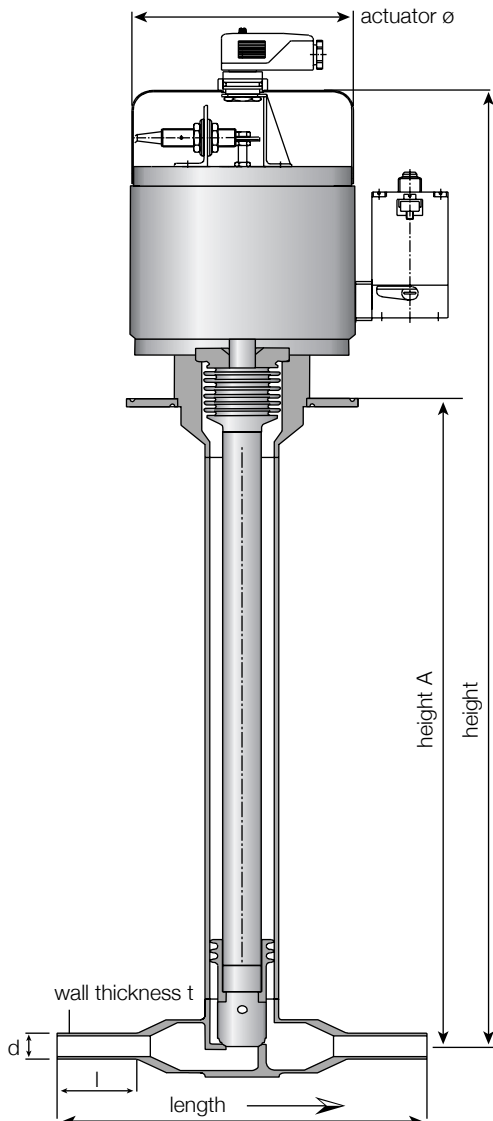


# Cryogenic On-Off Valve PN 25/40 pneumatic operation

Bellow in top of housing

**General characteristics (identical for all valves of the 3200 series)**

<b>Media</b>	N <sub>2</sub> , O <sub>2</sub> , H <sub>2</sub> , Ar, N <sub>2</sub> O, CO <sub>2</sub> , other media possible; please <b>always</b> specify media when placing an order	
<b>Specifications</b>	<b>Standard design</b>	<b>Accessories and modifications</b>
Housing material:	stainless steel 1.4404 or 1.4571 AISI 316Ti	other materials possible, please specify
Operating temperature:	-196 °C to +50 °C (with material 1.4404) -253 °C to +50 °C (with material 1.4571)	
Seal in seat:	metal/soft seat (PCTFE) leakage <10 <sup>-6</sup> mbar x l/sec.	other plastics, metal to metal, special alloys
Spindle seal:	with bellows and safety O-ring seal (Viton)	other materials for seal possible, please specify
Sealing to the atmosphere:	with metal seal, leakage: <10 <sup>-8</sup> mbar x l/sec. helium leak testing (vacuum method)	
End Connections:	butt welded	other connections possible, please specify
Purity:	free of oil and grease in the fluid space	assembly in clean room; electropolished Ra<0,4/0,25µm
Pressure test:	AD 2000-A4	
Certification:		according to EN 10204-3.1 for pressure-bearing parts with media contact
Installation position:	actuator at the top, stem max. 30° away from the vertical	



DN	Seat ø	Standard connection (d,t,l)	Length	Height	Drive ø	Height A	Order No.
4	10	6,0 x 1,0 x 25	115	425	96	250	18-3200
6	10	8,0 x 1,0 x 25	115	425	96	250	18-3201
8	10	10,0 x 1,0 x 25	115	425	96	250	18-3202
10	10	12,0 x 1,0 x 25	115	425	96	250	18-3203

all length dimensions in mm

**Specifications**

<b>Actuator:</b>	Actuating pressure: 6 bar max. (standard) with piston actuator
<b>Accessories:</b>	3/2-way solenoid valve 230V/50Hz or 24 V= (also explosion proof) limit switches (also explosion proof) with wiring, socket and plug
<b>Optional extras:</b>	weld-on flange (please specify diameter) vacuum insulation Leak detecting port

**Important! When ordering, please specify:**

- media and operating temperature
- "normally open", "normally closed"

