

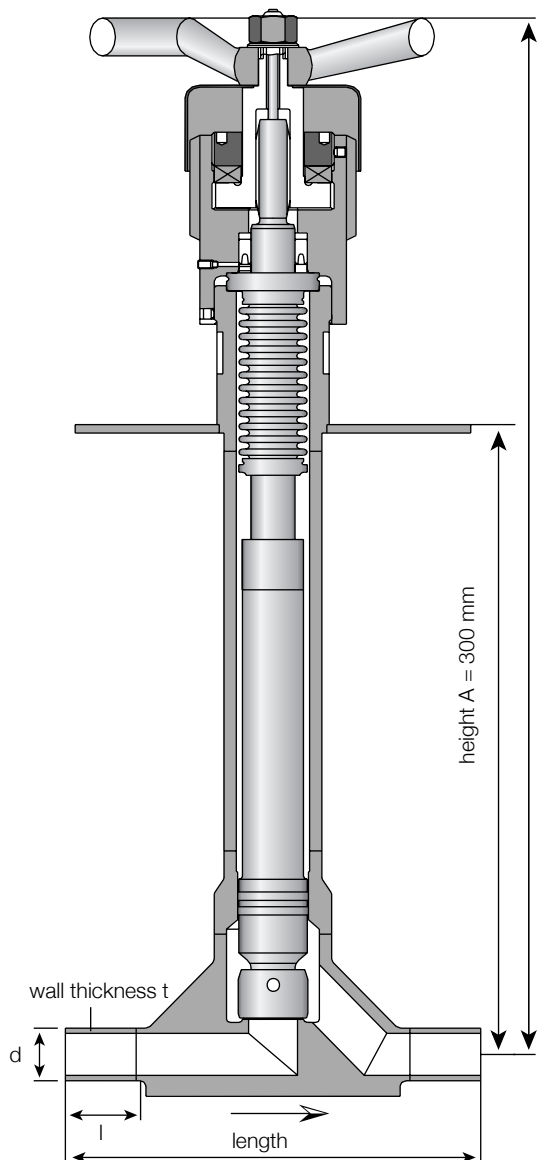
Cryogenic On-Off Valve PN 250 Manual Operation

General characteristics (identical for all valves of the 4200 series)

Media	N ₂ , O ₂ , H ₂ , Ar, N ₂ O, CO ₂ , other media possible; please always specify media when placing an order	
Specifications:	Standard design	Accessories and modifications
Housing material:	stainless steel 1.4404 or 1.4541	other materials possible, please specify
Seal in seat*:	metal/soft packing (PCTFE) leakage <10 ⁻⁶ mbar x l/sec.	other plastics, metal to metal, special alloys
Spindle seal**:	with bellows and safety gland (lip seal Viton)	other materials for lip seal possible, please specify
Sealing to the atmosphere:	with metal seal, leakage: <10 ⁻⁸ mbar x l/sec. helium sealing test (vacuum method)	
Connection:	welded on	other connections possible, please specify
Purity:	free of oil and grease	fitting in clean room; electropolished Ra < 0,4/0,25µm
Pressure test:	according to TRB 801 No. 45	
Certification:	according to DIN 55350 T.18-4.2.2 (M) or -4.2.1.(O)	according to EN 10204-3.1 pressure-bearing parts with media contact

*not with filter

**not with non-return valve and filter



Specifications	
Operating temperature:	-196°C to +50°C (with material 1.4404) -253°C to +50°C (with material 1.4571)
Installation position:	actuator upward or max. 30° away from the vertical
Optional extras:	weld-on flange (please specify diameter) vacuum insulation
Accessories	actuator with ball bearing position indication by pin on handwheel leak detecting port

DN	Seat ø	Standard connection (d, t, l)	Length	Height	Order No.
4	10	6,0 x 1,0 x 25	130	455	14-4200.13.1
6	10	8,0 x 1,0 x 25	130	455	14-4201.13.1
8	10	12,0 x 1,5 x 25	130	455	14-4202.13.1
10	10	14,0 x 2,0 x 25	130	455	14-4203.13.1
15	20	20,0 x 2,5 x 25	170	500	14-4204.13.1
20	20	25,0 x 2,5 x 25	170	500	14-4205.13.1
25	25	30,0 x 3,0 x 25	200	500	14-4206.13.1

CE marking acc. to PED 97/23/EG, if required

all length dimensions in mm

Important! When ordering, please specify:
• media and operating temperature