

Non-Return Valve PN 250

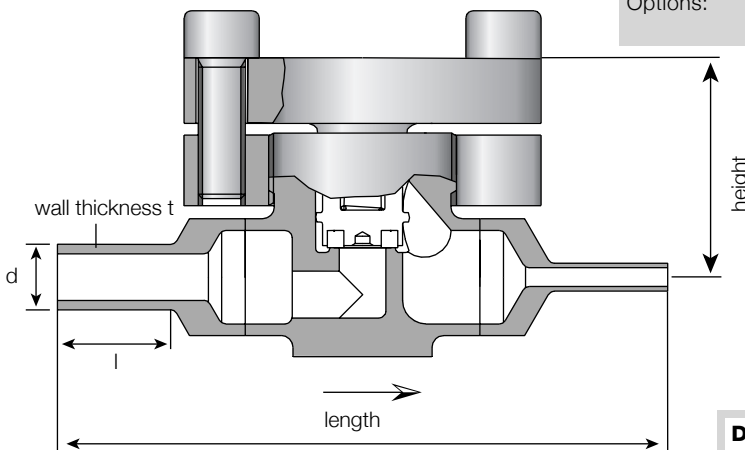
General characteristics (identical for all valves of the 4200 series)

Media	N ₂ , O ₂ , H ₂ , Ar, N ₂ O, CO ₂ , other media possible; please always specify media when placing an order	
Specifications:	Standard design	Accessories and modifications
Housing material:	stainless steel 1.4404 or 1.4541	other materials possible, please specify
Seal in seat*:	metal/soft packing (PCTFE) leakage <10 ⁻⁶ mbar x l/sec.	other plastics, metal to metal, special alloys
Spindle seal**:	with bellows and safety gland (lip seal Viton)	other materials for lip seal possible, please specify
Sealing to the atmosphere:	with metal seal, leakage: <10 ⁻⁸ mbar x l/sec. helium sealing test (vacuum method)	
Connection:	welded on	other connections possible, please specify
Purity:	free of oil and grease	fitting in clean room; electropolished Ra < 0,4/0,25µm
Pressure test:	according to TRB 801 No. 45	
Certification:	according to DIN 55350 T.18-4.2.2 (M) or -4.2.1.(O)	according to EN 10204-3.1 pressure-bearing parts with media contact

*not with filter

**not with non-return valve and filter

Specifications	
Operating temperature:	-196°C to + 50°C (with material 1.4404) -253°C to + 50°C (with material 1.4571)
Minimum opening pressure:	< 0,3 bar
Installation position:	horizontal, bonnet upward other installation positions possible, please specify
Options:	stem tube extension for vacuum isolation



Important! When ordering, please specify:

- media and operating temperature
- installation position (if different from "horizontal")

DN	Seat ø	Standard connection (d,t,l)	Length	Height	Order No.
4	10	6,0 x 1,0 x 25	130	47	08-4200
6	10	8,0 x 1,0 x 25	130	47	08-4201
8	10	12,0 x 1,5 x 25	130	47	08-4202
10	10	14,0 x 2,0 x 25	130	47	08-4203
15	20	20,0 x 2,5 x 25	170	101	08-4204
20	20	25,0 x 2,5 x 25	170	101	08-4205
25	25	30,0 x 3,0 x 25	200	119	08-4206

all length dimensions in mm

02/2006 • Subject to change • No reliability accepted for printing and other errors • Please observe our safety instructions

