

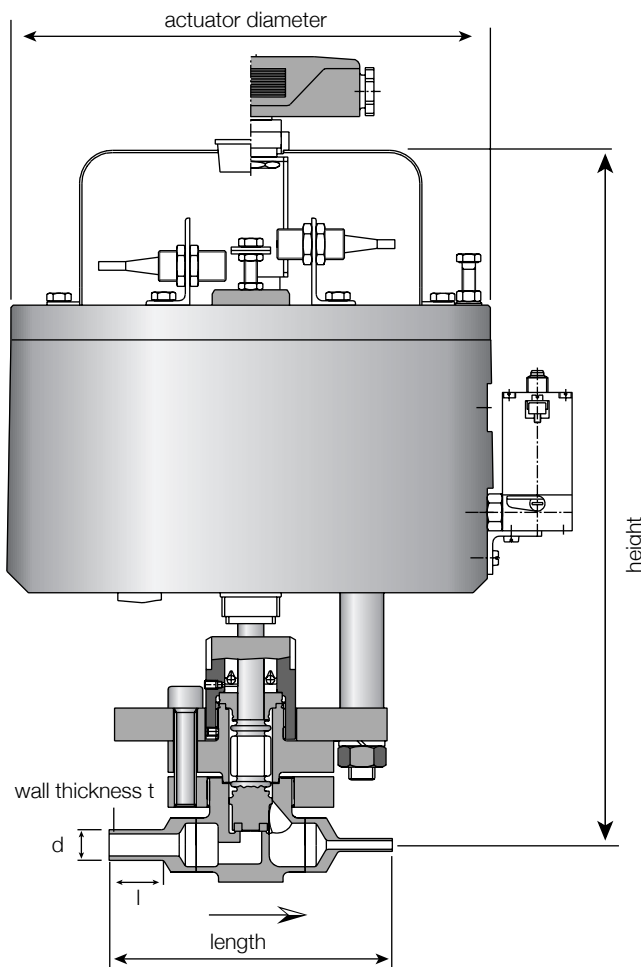
On-Off Valve PN 250 Pneumatic Operation

General characteristics (identical for all valves of the 4200 series)

Media	N ₂ , O ₂ , H ₂ , Ar, N ₂ O, CO ₂ , other media possible; please always specify media when placing an order	
Specifications:	Standard design	Accessories and modifications
Housing material:	stainless steel 1.4404 or 1.4541	other materials possible, please specify
Seal in seat*:	metal/soft packing (PCTFE) leakage <10 ⁻⁶ mbar x l/sec.	other plastics, metal to metal, special alloys
Spindle seal**:	with bellows and safety gland (lip seal Viton)	other materials for lip seal possible, please specify
Sealing to the atmosphere:	with metal seal, leakage: <10 ⁻⁸ mbar x l/sec. helium sealing test (vacuum method)	
Connection:	welded on	other connections possible, please specify
Purity:	free of oil and grease	fitting in clean room; electropolished Ra < 0,4/0,25µm
Pressure test:	according to TRB 801 No. 45	
Certification:	according to DIN 55350 T.18-4.2.2 (M) or -4.2.1.(O)	according to EN 10204-3.1 pressure-bearing parts with media contact

*not with filter

**not with non-return valve and filter



Specifications	
Operating temperature:	-30°C to + 50°C
Drive:	with piston actuator actuating pressure: 6 bar max. (standard version)
Standard	leak detecting port
Options:	Diaphragm actuator
Accessories:	3/2 way solenoid valve 230V/50Hz or 24 V= (also explosion proof) limit switches (also explosion proof) with wiring, socket and plug

DN	Seat ø	Standard connection (d,t,l)	Length	Height	Drive ø	Order No.
4	10	6,0 x 1,0 x 25	130	320	220	18-4200
6	10	8,0 x 1,0 x 25	130	320	220	18-4201
8	10	12,0 x 1,5 x 25	130	320	220	18-4202
10	10	14,0 x 2,0 x 25	130	320	220	18-4203
15	20	20,0 x 2,5 x 25	170	405	285	18-4204
20	20	25,0 x 2,5 x 25	170	405	285	18-4205
25	25	30,0 x 3,0 x 25	200	425	400	18-4206

CE marking acc. to PED 97/23/EG, if required

all length dimensions in mm

Important! When ordering, please specify:

- media and operating temperature
- "normally open", "normally closed"

02/2006 • Subject to change • No reliability accepted for printing and other errors • Please observe our safety instructions